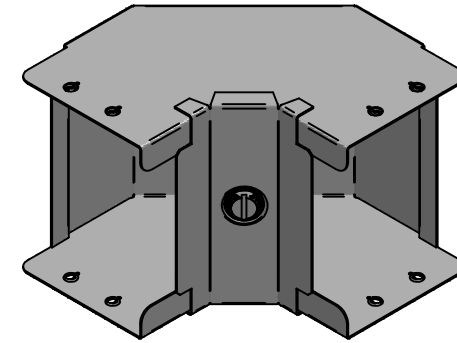
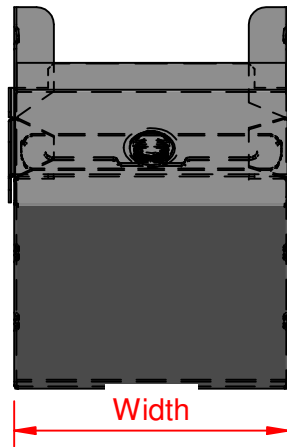
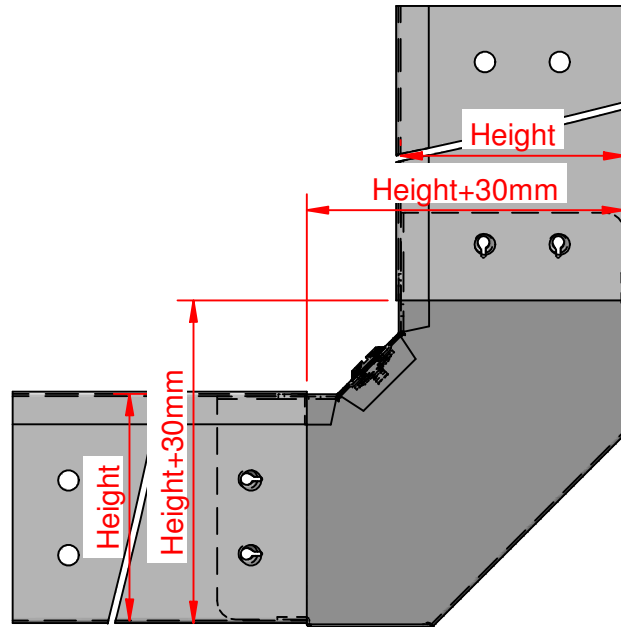


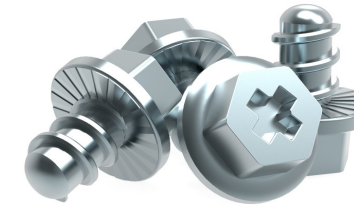


QuickFix

Size	Width	Height
GIB22	50.8	50.8
GIB32	76.2	50.8
GIB33	76.2	76.2
GIB42	101.6	50.8
GIB43	101.6	76.2
GIB44	101.6	101.6
GIB62	152.4	50.8
GIB63	152.4	76.2
GIB64	152.4	101.6
GIB66	152.4	152.4
GIB82	203.2	50.8
GIB83	203.2	76.2
GIB84	203.2	101.6
GIB88	203.2	203.2
GIB92	228.6	50.8
GIB93	228.6	76.2
GIB94	228.6	101.6
GIB96	228.6	152.4
GIB99	228.6	228.6



- ✓ Fast fitting **UniBolt** reduces installation time by as much as 80%
- ✓ **IP4X compliant** as standard
- ✓ **Completes the range** of fast fitting and innovative Cable Management Solutions



In accordance with Unitrunk's policy of continuous improvement, Unitrunk reserves the right to change specifications and designs without notice. Data is the copyright of Unitrunk Ltd and not to be reproduced or passed to a third party without written consent.

Cable Trunking & Ducting Standard BS EN 50085-1 & BS EN 50085-2-1	Material Standard BS EN 10346 (Pre Galv)		Quality Recognition	
	Unitrunk Head Office: 4 Altona Road, Lisburn, BT27 5QB +44 28 9262 5100 info@unitrunk.co.uk unitrunk.co.uk unitrunk.ie	Lid Fixing Retained Toggle	Torque Value 3 N m	
	Data Sheet Reference Gusset Bend Inside Lid	Revision 2.01		



UNITRUNK