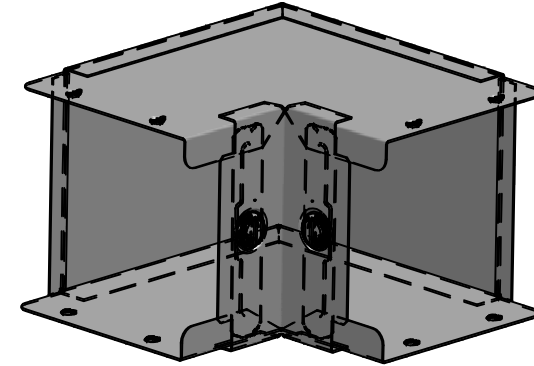
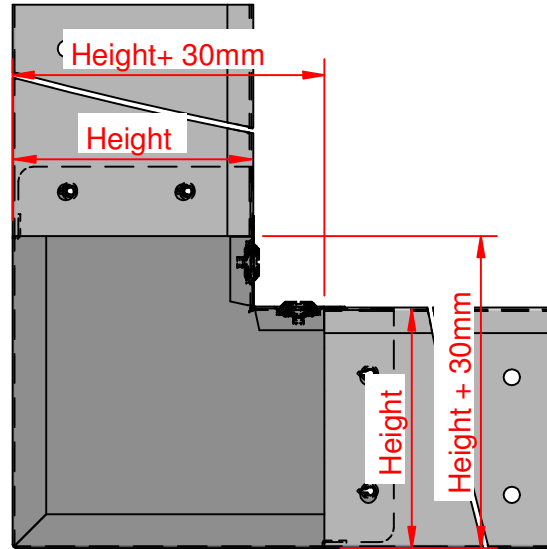


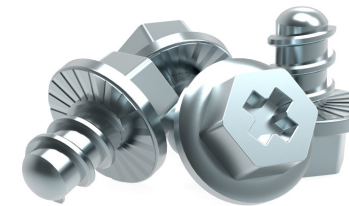


QuickFix

Size	Width	Height
SIE22	50.8	50.8
SIE32	76.2	50.8
SIE33	76.2	76.2
SIE42	101.6	50.8
SIE43	101.6	76.2
SIE44	101.6	101.6
SIE62	152.4	50.8
SIE63	152.4	76.2
SIE64	152.4	101.6
SIE66	152.4	152.4
SIE82	203.2	50.8
SIE83	203.2	76.2
SIE84	203.2	101.6
SIE88	203.2	203.2
SIE92	228.6	50.8
SIE93	228.6	76.2
SIE94	228.6	101.6
SIE96	228.6	152.4
SIE99	228.6	228.6



- ✓ Fast fitting **UniBolt** reduces installation time by as much as 80%
- ✓ **IP4X compliant** as standard
- ✓ **Completes the range** of fast fitting and innovative Cable Management Solutions



In accordance with Unitrunk's policy of continuous improvement, Unitrunk reserves the right to change specifications and designs without notice. Data is the copyright of Unitrunk Ltd and not to be reproduced or passed to a third party without written consent.

Cable Trunking & Ducting Standard BS EN 50085-1 & BS EN 50085-2-1	Material Standard BS EN 10346 (Pre Galv)		Quality Recognition	
	Unitrunk Head Office: 4 Altona Road, Lisburn, BT27 5QB +44 28 9262 5100 info@unitrunk.co.uk unitrunk.co.uk unitrunk.ie	Lid Fixing Retained Toggle	Torque Value 3 N m	
	Data Sheet Reference Sharp Bend Inside Lid	Revision 2.01		



UNITRUNK